



HYDRO CHUCKS

HIGH QUALITY TOOLHOLDERS FOR
ALL YOUR PRODUCTION NEEDS

Introducing our new hydro chucks:

- **Hydro Chuck UNI**
Universal toolholder for general machining
- **Hydro Chuck HD**
Heavy duty toolholder with extreme clamping
force for more demanding tasks



**KEEPS YOU
AHEAD**





TECHNICAL EXCELLENCE

**TECHNOLOGY SETS
ITS OWN LIMITS,
AND WE TAKE PRIDE
IN EXCEEDING THEM.**

**KEEPS YOU
AHEAD**

Table of content

Presentation 4

Hydro Chuck UNI.....	4
Hydro Chuck HD.....	5

Hydro Chuck UNI..... 6

HSK-A 63.....	7
HSK-A 100.....	8
BT30.....	9
BT40.....	10
BT50.....	11
SK40.....	12
SK50.....	13



Hydro Chuck HD..... 14

HSK-A 63.....	15
BT30.....	16
BT40.....	17
BT50.....	18
SK40.....	19
SK50.....	20



Accessories..... 22

Intermediate sleeve Ø12 - Sealed coolant.....	23
Intermediate sleeve Ø20 - Sealed coolant.....	24
Intermediate sleeve Ø25 - Sealed coolant.....	25
Intermediate sleeve Ø32 - Sealed coolant.....	26
Intermediate sleeve Ø8 - Peripheral coolant.....	27
Intermediate sleeve Ø12 - Peripheral coolant.....	28
Intermediate sleeve Ø20 - Peripheral coolant.....	29
Intermediate sleeve Ø32 - Peripheral coolant.....	30
Other accessories.....	31



HYDRO CHUCK **UNI**

Kyocera Hydro Chuck UNI offers the best price/performance ratio for direct clamping. With seven interfaces and direct clamping from Ø6-32 mm, the Kyocera Hydro Chuck UNI ensures process reliability and precise clamping for use in various machining applications.

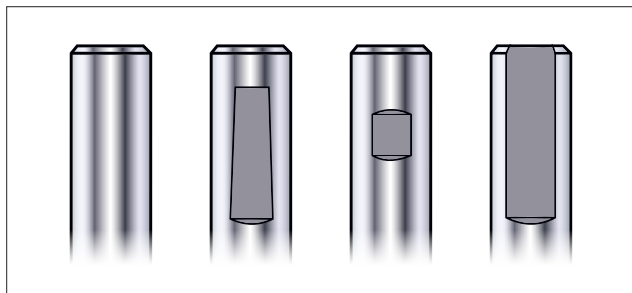
1 Universelles Hydrodehnspannfutter

Suitable for most of your machining tasks whether it is drilling, countersinking, reaming or light milling.

Available in almost all diameters with extreme accurate run-out accuracy of ≤ 0.003 mm

2 Passend für alle Schafttypen

This toolholder can be used with all types of shanks without the need of any special sleeves or adaptors.



Applications

Milling				Drilling	Reaming
HPC	Roughing	Medium	Finishing		
○	○	◐	●	●	●

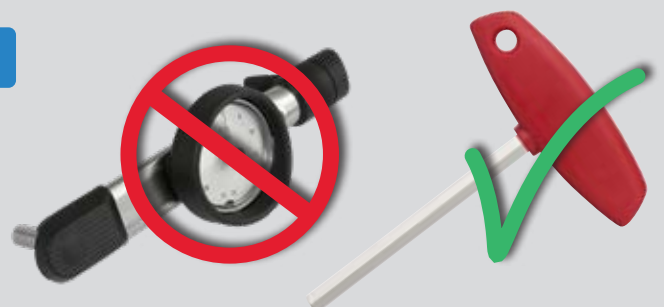
● Excellent
◐ Suitable
○ Not suitable

Both types of toolholder

Optimise your working process

Change your tool in seconds

The exceptional design makes it possible to change the tool by just using an Allen key to tighten one screw by hand. No need for expensive special equipment or even a torque wrench to use these toolholders.



HYDRO CHUCK HD

The Kyocera Hydro Chuck HD (Heavy Duty) is a high-performance toolholder used in precision machining. Specifically, it is designed to provide exceptional holding power and accuracy for demanding applications like milling, drilling, reaming, threading and high-performance cutting (HPC) applications, offering up to 3 times longer tool life compared to a standard solution.

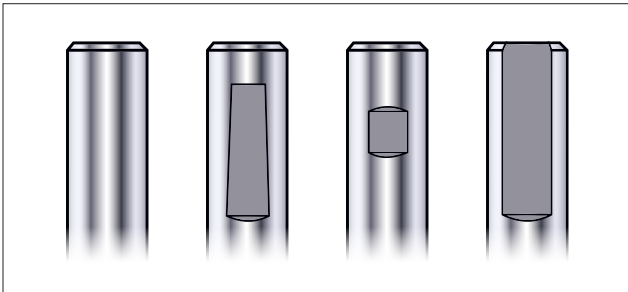
1 Extremes Drehmoment

The most extreme torque for extreme tasks like milling (roughing/finishing), drilling, tapping and reaming.

Available in the most common diameters with extreme accurate run-out accuracy of ≤ 0.003 mm.

2 Passend für alle Schafttypen

This toolholder can be used with all types of shanks without the need of any special sleeves or adaptors.



Applications

Milling				Drilling	Reaming
HPC	Roughing	Medium	Finishing		
●	●	●	●	●	●

● Excellent
● Suitable
○ Not suitable

Expand the usage of your toolholder

Intermediate sleeves

- Multiple choice: Sealed or peripheral coolant options
- High quality: Sealed coolant works with up to 80 bar
- Extreme accurate: Both types have a run-out accuracy of ≤ 0.003 mm
- Economical solution: Keep using your existing toolholders.





Watch the video

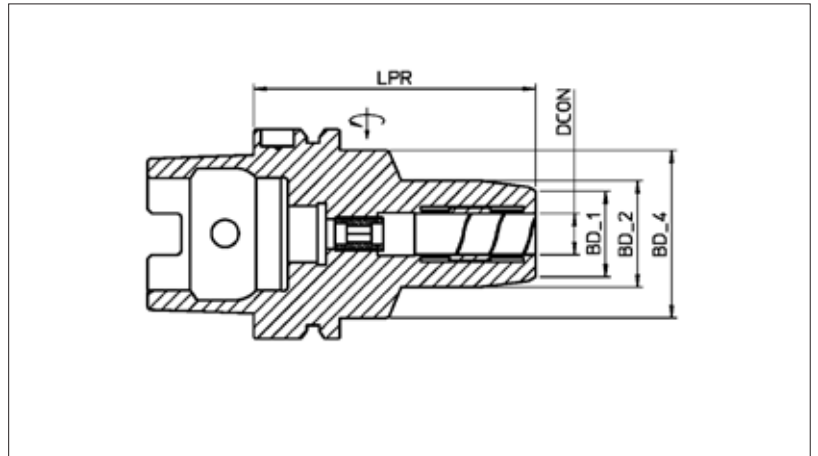


HYDRO CHUCK **UNI**


- The most universal hydraulic chuck for all your tasks
- Works with all shank types
- Intermediate sleeves enable clamping different diameters with the same toolholder
- Tool change in seconds without the usage of torque tools etc.
- Exceptional vibration damping
- High quality machining for long tool life.

**KEEPS YOU
AHEAD** 

Hydro Chuck UNI - HSK-A 63



Dimensions

Description	Dimensions (mm)					M _{min} (Nm)	Weight (kg)	
	DCON	BD_1	BD_2	BD_4	LPR			
TQP00200	Ø 6	22	26	50	70	16	1	180125
TQP00201	Ø 8	24	28	50	70	23	1	180125
TQP00202	Ø 10	26	30	50	80	45	1.1	180125
TQP00203	Ø 12	28	32	50	85	90	1.1	180125
TQP00204	Ø 14	30	34	50	85	110	1.1	180125
TQP00205	Ø 16	34	38	50	90	185	1.2	180125
TQP00206	Ø 18	36	40	50	90	240	1.3	180125
TQP00207	Ø 20	38	42	50	90	330	1.3	180125
TQP00208	Ø 25	53	57	-	120	400	2.2	180126
TQP00209	Ø 32	58	62	-	125	650	2.7	180126

Coolant pipe

For HSK-A 63
Part. no. TQP20000



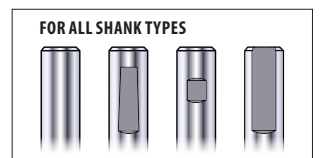
Wrench

For HSK-A 63 coolant pipe
Part. no. TQP20100

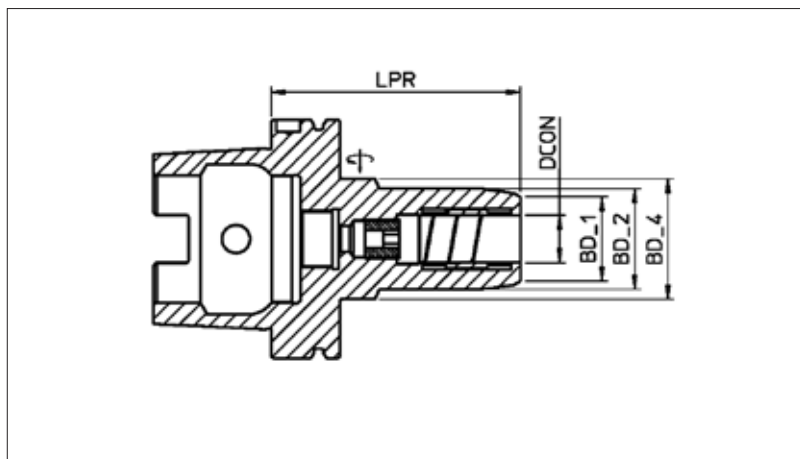


FACTS


- Run-out accuracy: ≤ 0.003 mm at $2.5 \times D$
- Balancing grade: G2.5 at 25,000 rpm / $U_{max} < 1$ gmm
- Tool shank quality: h6
- Length adjustment screw: With set-screw for axial length adjustment.



Hydro Chuck UNI - HSK-A 100



Dimensions

Description	Dimensions (mm)					M _{min} (Nm)	Weight (kg)	
	DCON	BD_1	BD_2	BD_4	LPR			
TQP00220	Ø 6	22	26	50	75	16	2.5	180125
TQP00221	Ø 8	24	28	50	75	23	2.5	180125
TQP00222	Ø 10	26	30	50	90	45	2.5	180125
TQP00223	Ø 12	28	32	50	95	90	2.6	180125
TQP00224	Ø 14	30	34	50	95	110	2.6	180125
TQP00225	Ø 16	34	38	50	100	185	2.7	180125
TQP00226	Ø 18	36	40	50	100	240	2.8	180125
TQP00227	Ø 20	38	42	50	105	330	2.8	180125
TQP00228	Ø 25	53	57	63	110	400	3.7	180126
TQP00229	Ø 32	60	64	75	110	650	3.8	180126

Coolant pipe

For HSK-A 100
Part. no. TQP20001



Wrench

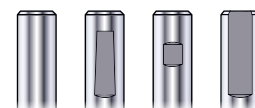
For HSK-A 100 coolant pipe
Part. no. TQP20101



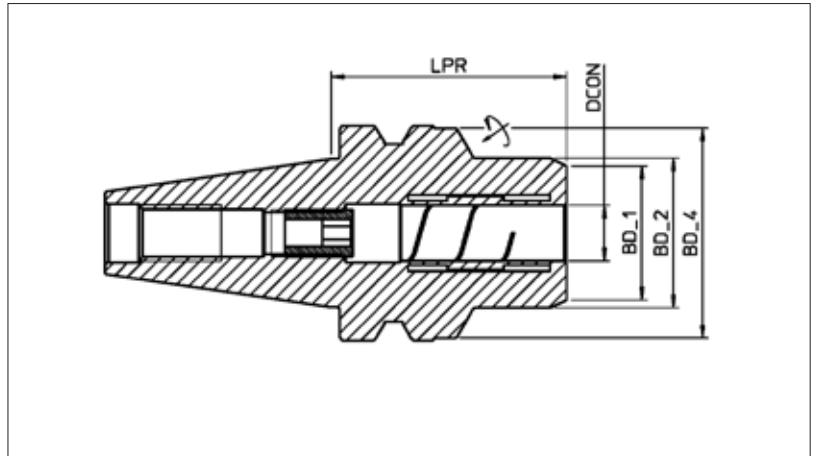
FACTS

- Run-out accuracy: ≤ 0.003 mm at $2.5 \times D$
- Balancing grade: G2.5 at 25,000 rpm / $U_{\max} < 1$ gmm
- Tool shank quality: h6
- Length adjustment screw: With set-screw for axial length adjustment.


FOR ALL SHANK TYPES



Hydro Chuck UNI - BT30

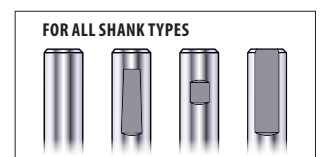


Dimensions

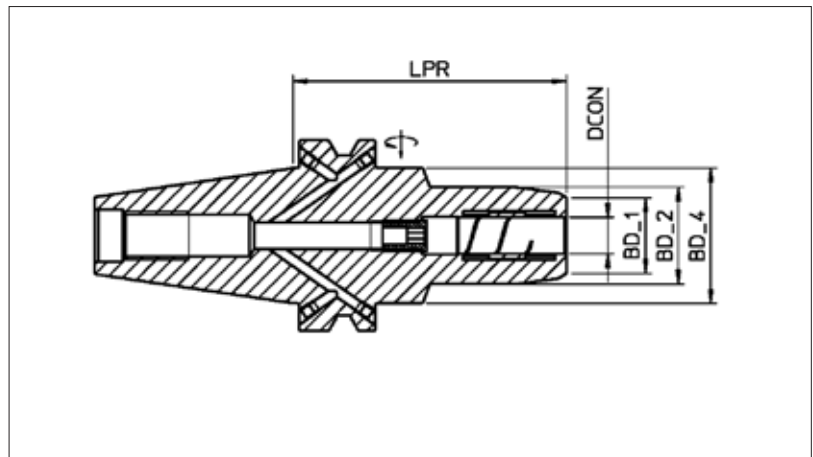
Description	Dimensions (mm)					M_{min} (Nm)	Weight (kg)	
	DCON	BD_1	BD_2	BD_4	LPR			
TQP00260	Ø 6	22.8	26	46	55	16	0.6	180125
TQP00261	Ø 8	24.8	28	46	55	23	0.6	180125
TQP00262	Ø 10	26.8	30	46	55	45	0.6	180125
TQP00263	Ø 12	28.8	32	46	55	90	0.6	180125
TQP00264	Ø 16	34.7	38	45	90	185	0.9	180125
TQP00265	Ø 20	37.7	42	45	90	330	0.95	180125

FACTS


- Run-out accuracy: ≤ 0.003 mm at $2.5 \times D$
- Balancing grade: G2.5 at 25,000 rpm / $U_{max} < 1$ gmm
- Tool shank quality: h6
- Length adjustment screw: With set-screw for axial length adjustment.



Hydro Chuck UNI - BT40

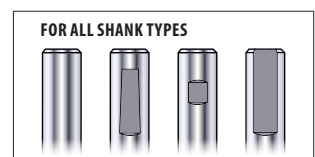


Dimensions

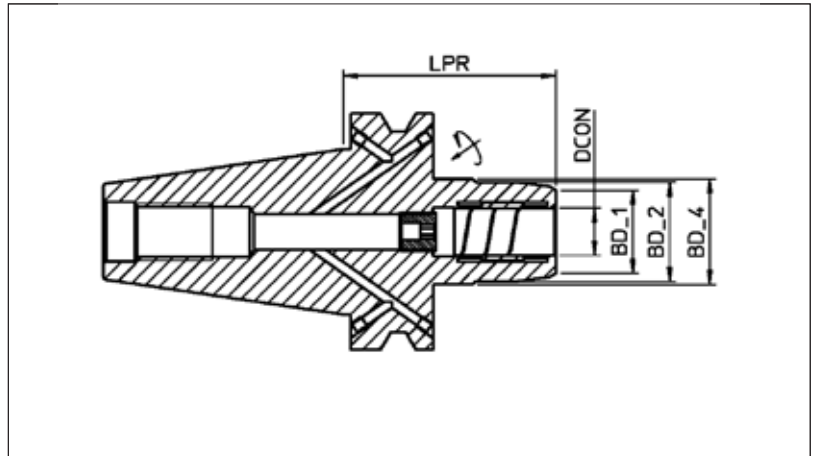
Description	Dimensions (mm)					Mmin (Nm)	Weight (kg)	
	DCON	BD_1	BD_2	BD_4	LPR			
TQP00270	Ø 6	22	26	44.5	90	16	1.4	180125
TQP00271	Ø 8	24	28	44.5	90	23	1.4	180125
TQP00272	Ø 10	26	30	44.5	90	45	1.4	180125
TQP00273	Ø 12	28	32	44.5	90	90	1.4	180125
TQP00274	Ø 16	34	38	44.5	90	185	1.5	180125
TQP00275	Ø 20	38	42	44.5	90	330	1.5	180125
TQP00276	Ø 32	59	62	-	100	650	2.55	180126

FACTS


- Run-out accuracy: ≤ 0.003 mm at $2.5 \times D$
- Balancing grade: G2.5 at 25,000 rpm / $U_{\max} < 1$ gmm
- Tool shank quality: h6
- Length adjustment screw: With set-screw for axial length adjustment.



Hydro Chuck UNI - BT50

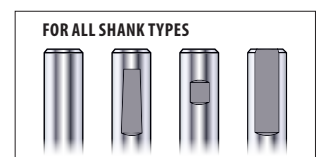


Dimensions

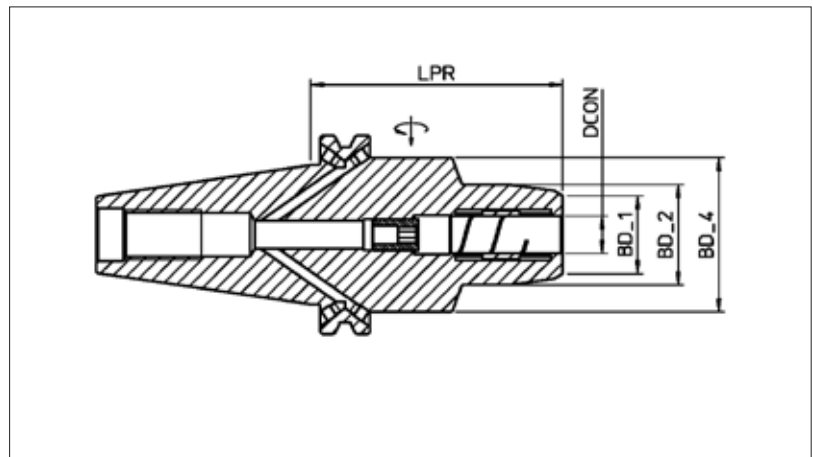
Description	Dimensions (mm)					M _{min} (Nm)	Weight (kg)	
	DCON	BD_1	BD_2	BD_4	LPR			
TQP00280	Ø 12	28	32	49.25	90	90	3.95	180125
TQP00281	Ø 20	38	42	49.25	90	330	3.95	180125
TQP00282	Ø 32	60	64	70.25	120	650	5.1	180126

FACTS


- Run-out accuracy: ≤ 0.003 mm at $2.5 \times D$
- Balancing grade: G2.5 at 25,000 rpm / $U_{max} < 1$ gmm
- Tool shank quality: h6
- Length adjustment screw: With set-screw for axial length adjustment.



Hydro Chuck UNI - SK40

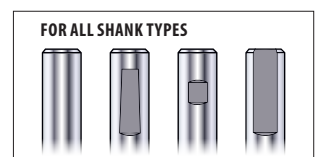


Dimensions

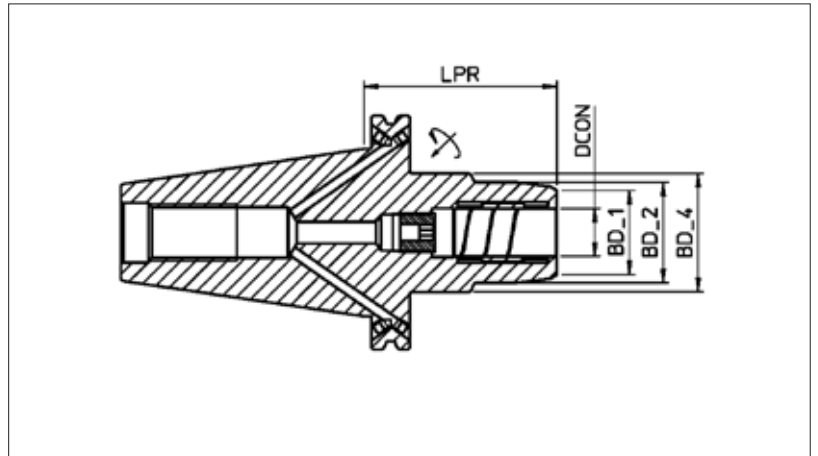
Description	Dimensions (mm)					M _{min} (Nm)	Weight (kg)	
	DCON	BD_1	BD_2	BD_4	LPR			
TQP00240	Ø 6	22	26	49.25	80.5	16	1.4	180125
TQP00241	Ø 8	24	28	49.25	80.5	23	1.4	180125
TQP00242	Ø 10	26	30	49.25	80.5	45	1.4	180125
TQP00243	Ø 12	28	32	49.25	80.5	90	1.4	180125
TQP00244	Ø 16	34	38	49.25	80.5	185	1.4	180125
TQP00245	Ø 18	36	40	49.25	80.5	240	1.4	180125
TQP00246	Ø 20	38	42	49.25	80.5	330	1.4	180125
TQP00247	Ø 25	53	55	65.95	80.5	400	1.8	180126
TQP00248	Ø 32	60	63	72.95	80.5	650	2	180126

FACTS


- Run-out accuracy: ≤ 0.003 mm at $2.5 \times D$
- Balancing grade: G2.5 at 25,000 rpm / $U_{\max} < 1$ gmm
- Tool shank quality: h6
- Length adjustment screw: With set-screw for axial length adjustment.



Hydro Chuck UNI - SK50

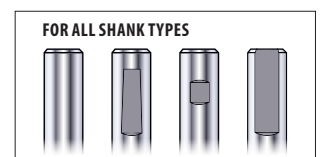


Dimensions

Description	Dimensions (mm)					M_{min} (Nm)	Weight (kg)	
	DCON	BD_1	BD_2	BD_4	LPR			
TQP00250	Ø 12	28	32	49.25	80.5	90	3.2	180125
TQP00251	Ø 16	34	38	49.25	80.5	185	3.2	180125
TQP00252	Ø 20	38	42	49.25	80.5	330	3.3	180125
TQP00253	Ø 32	60	64	70.25	103.2	650	4.4	180126

FACTS

- Run-out accuracy: ≤ 0.003 mm at $2.5 \times D$
- Balancing grade: G2.5 at 25,000 rpm / $U_{max} < 1$ gmm
- Tool shank quality: h6
- Length adjustment screw: With set-screw for axial length adjustment.





Watch the video



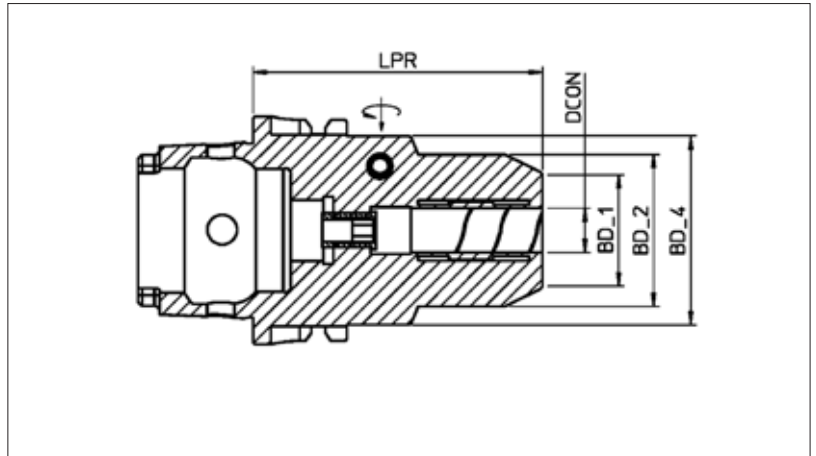
HYDRO CHUCK **HD**

- Extreme torque for extreme tasks
- Works with all shank types
- Intermediate sleeves enable clamping different diameters with the same toolholder
- For milling (roughing/finishing), drilling, tapping and reaming
- Exceptional vibration damping
- Tool change in seconds without the usage of torque tools etc.


**KEEPS YOU
AHEAD**



Hydro Chuck HD - HSK-A 63



Dimensions

Description	Dimensions (mm)					M _{min} (Nm)	Weight (kg)	
	DCON	BD_1	BD_2	BD_4	LPR			
TQP00100	12	32	42	52.5	80	110	1.25	180125
TQP00101	16	38	52.5	-	80	350	1.3	180125
TQP00102	20	38	52.5	-	80	520	1.32	180125
TQP00104	32	58.5	62.5	-	120	800	2	180126
TQP00105	12	32	42	44.5	130	110	1.73	180125
TQP00106	16	38	42	44.5	130	350	1.8	180125
TQP00107	20	38	42	44.5	130	400	1.68	180125

Coolant pipe

For HSK-A 63

Part. no. TQP20000



Wrench

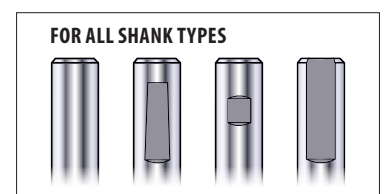
For HSK-A 63 coolant pipe

Part. no. TQP20100

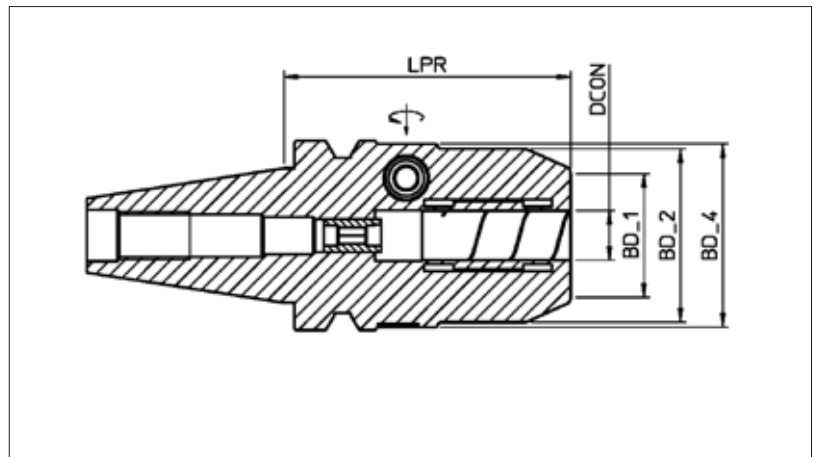


FACTS


- Extreme torque: For heavy duty machining
- Run-out accuracy: ≤ 0.003 mm at $2.5 \times D$
- Balancing grade: G2.5 at 25,000 rpm / $U_{max} < 1$ gmm
- Tool shank quality: h6
- Length adjustment screw: With set-screw for axial length adjustment.



Hydro Chuck HD - BT30

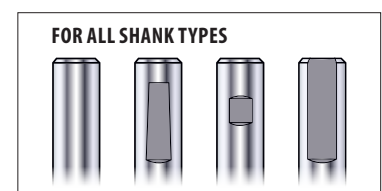


Dimensions

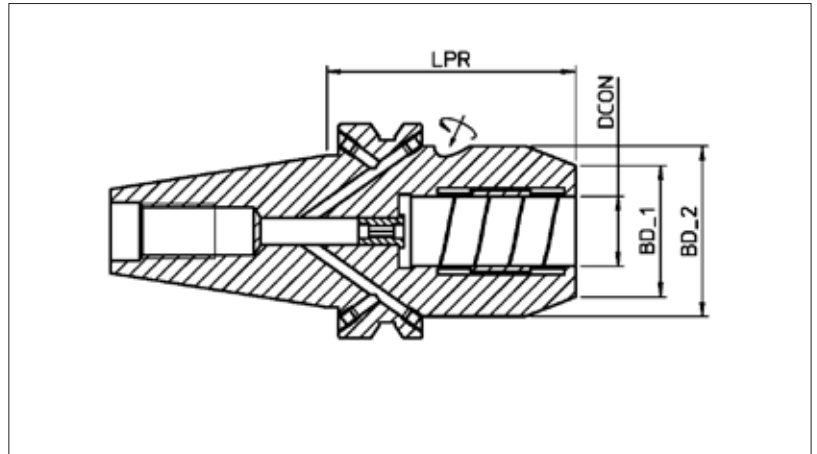
Description	Dimensions (mm)					M_{min} (Nm)	Weight (kg)	
	DCON	BD_1	BD_2	BD_4	LPR			
TQP00110	12	32	42	44.5	69	110	0.6	180125
TQP00112	20	38	42	44.5	90	400	0.9	180125

FACTS


- Extreme torque : For heavy duty machining
- Run-out accuracy: ≤ 0.003 mm at $2.5 \times D$
- Balancing grade: G2.5 at 25,000 rpm / $U_{max} < 1$ gmm
- Tool shank quality: h6
- Length adjustment screw: With set-screw for axial length adjustment.



Hydro Chuck HD - BT40

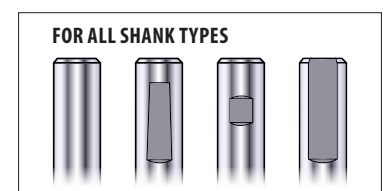


Dimensions

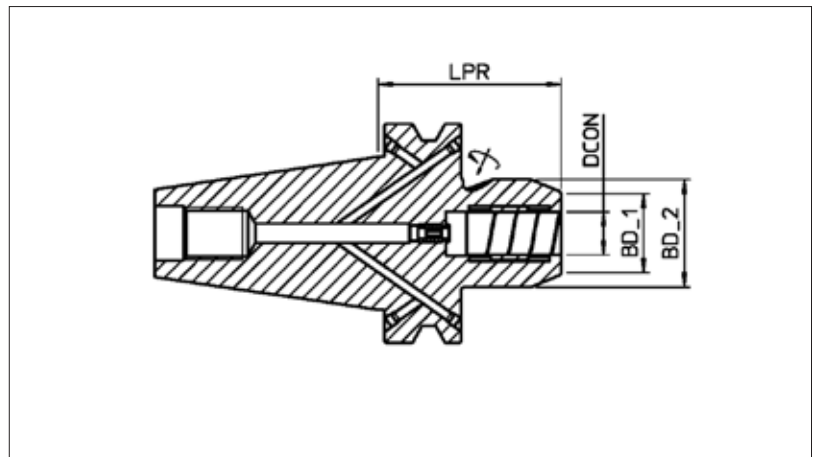
Description	Dimensions (mm)					M_{min} (Nm)	Weight (kg)	
	DCON	BD_1	BD_2	BD_4	LPR			
TQP00120	12	32	42	-	58	110	1.2	180125
TQP00121	16	38	49.25	-	72.5	350	1.3	180125
TQP00122	20	38	49.25	-	72.5	520	1.4	180125
TQP00123	32	58.5	62.5	-	120	900	1.5	180126

FACTS


- Extreme torque: For heavy duty machining
- Run-out accuracy: ≤ 0.003 mm at $2.5 \times D$
- Balancing grade: G2.5 at 25,000 rpm / $U_{max} < 1$ gmm
- Tool shank quality: h6
- Length adjustment screw: With set-screw for axial length adjustment.



Hydro Chuck HD - BT50

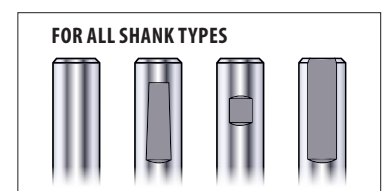


Dimensions

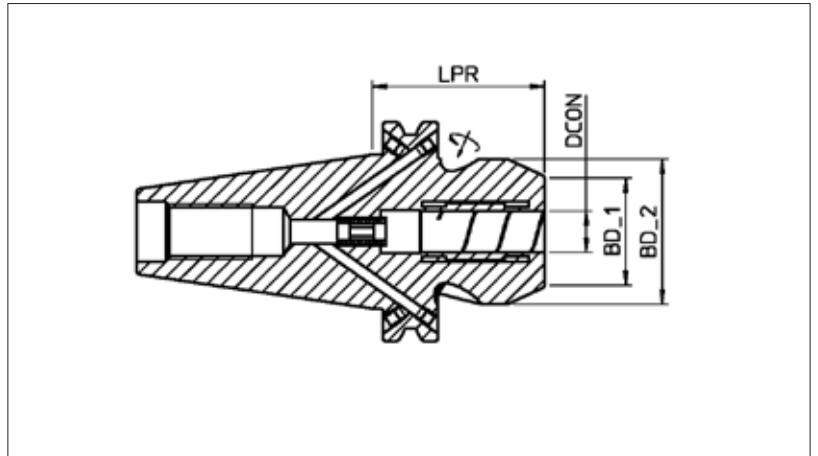
Description	Dimensions (mm)					M _{min} (Nm)	Weight (kg)	
	DCON	BD_1	BD_2	BD_4	LPR			
TQP00131	20	38	49.25	-	83.5	520	4.1	180125
TQP00132	32	58.5	72	-	90	900	4.6	180126

FACTS


- Extreme torque : For heavy duty machining
- Run-out accuracy: ≤ 0.003 mm at $2.5 \times D$
- Balancing grade: G2.5 at 25,000 rpm / $U_{\max} < 1$ gmm
- Tool shank quality: h6
- Length adjustment screw: With set-screw for axial length adjustment.



Hydro Chuck HD - SK40

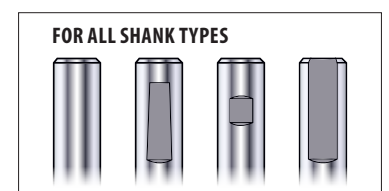


Dimensions

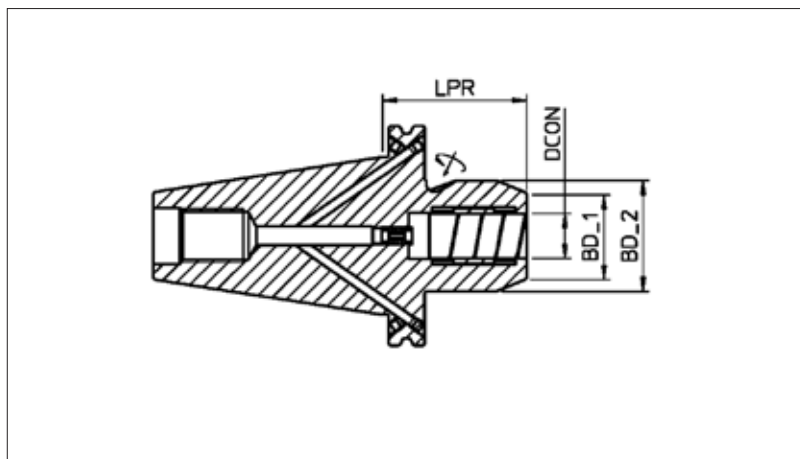
Description	Dimensions (mm)					M _{min} (Nm)	Weight (kg)	
	DCON	BD_1	BD_2	BD_4	LPR			
TQP00140	12	32	42	-	50	110	1.1	180125
TQP00141	16	38	49.25	-	64.5	350	1.2	180125
TQP00142	20	38	49.25	-	64.5	520	1.3	180125
TQP00148	32	58.5	62.5	-	115	800	2.6	180126
TQP00144	12	32	42	44.5	130	110	1.7	180125
TQP00146	16	38	42	44.5	130	400	1.7	180125
TQP00147	20	38	42	44.5	130	400	1.7	180125

FACTS


- Extreme torque: For heavy duty machining
- Run-out accuracy: ≤ 0.003 mm at $2.5 \times D$
- Balancing grade: G2.5 at 25,000 rpm / $U_{max} < 1$ gmm
- Tool shank quality: h6
- Length adjustment screw: With set-screw for axial length adjustment.



Hydro Chuck HD - SK50

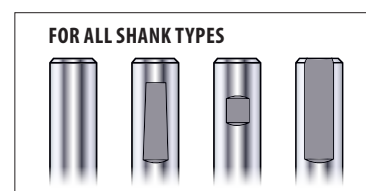


Dimensions

Description	Dimensions (mm)					M _{min} (Nm)	Weight (kg)	
	DCON	BD_1	BD_2	BD_4	LPR			
TQP00150	12	32	42	-	50	110	2.8	180125
TQP00152	20	38	49.25	-	64.5	520	3.1	180125
TQP00153	32	58.5	72	-	81	900	4.1	180126
TQP00155	20	38	42	44.5	130	400	3.6	180125
TQP00156	32	58.5	62.5	-	130	900	4.9	180126

FACTS

- Extreme torque : For heavy duty machining
- Run-out accuracy: ≤ 0.003 mm at $2.5 \times D$
- Balancing grade: G2.5 at 25,000 rpm / $U_{\max} < 1$ gmm
- Tool shank quality: h6
- Length adjustment screw: With set-screw for axial length adjustment.



The background of the entire page is a grayscale photograph of two hands shaking in a firm grip. A large, semi-transparent blue arrow shape is overlaid on the image, pointing from the bottom left towards the top right. The text is placed over this blue shape and the background image.

CUSTOMER ORIENTATION

**WHY SHOULD
CUSTOMERS ADAPT
TO SUPPLIERS, WHEN
YOUR SUPPLIERS CAN
ADAPT TO YOU?**

***KEEPS YOU
AHEAD***

A large, solid blue arrow graphic pointing to the right, positioned at the bottom right of the page. The text "KEEPS YOU AHEAD" is written in white, bold, italicized font across the middle of the arrow.

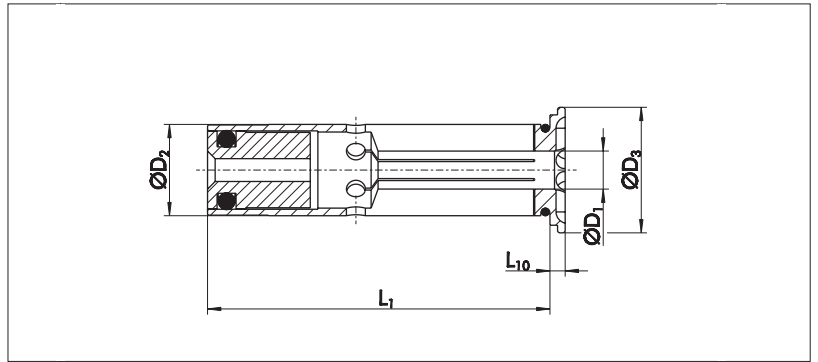


ACCESSORIES

- Get the most out of your toolholders with intermediate sleeves and save costs by keep using your existing toolholders
- The intermediate sleeves come with sealed or peripheral coolant
- We can also supply you with various keys for easy tool handling

**KEEPS YOU
AHEAD** 

Intermediate sleeve Ø12 - Sealed coolant



Dimensions

Description	Dimensions (mm)					Weight (kg)
	D_1	D_2	D_3	L_1	L_{10}	
TQP10100	3	12	16.5	45	2	0.1
TQP10101	4	12	16.5	45	2	0.1
TQP10102	5	12	16.5	45	2	0.1
TQP10103	6	12	16.5	45	2	0.1
TQP10104	7	12	16.5	45	2	0.1
TQP10105	8	12	16.5	45	2	0.1
TQP10106	9	12	16.5	45	2	0.1
TQP10107	10	12	16.5	45	2	0.1

Sleeve remover

This tool helps you easily remove the sleeve.
Ø12 - Ø32

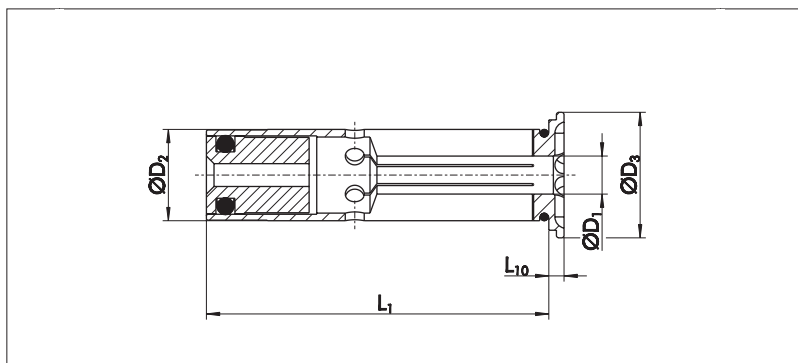
Part. no. TQP20200



FACTS

- Internal coolant: Coolant-proof up to 80 bar
- Run-out accuracy: ≤ 0.003 mm at $2.5 \times D$.

Intermediate sleeve Ø20 - Sealed coolant



Dimensions

Description	Dimensions (mm)					Weight (kg)
	D ₁	D ₂	D ₃	L ₁	L ₁₀	
TQP10110	3	20	24	50.5	2	0.1
TQP10111	4	20	24	50.5	2	0.1
TQP10112	5	20	24	50.5	2	0.1
TQP10113	6	20	24	50.5	2	0.1
TQP10114	7	20	24	50.5	2	0.1
TQP10115	8	20	24	50.5	2	0.1
TQP10116	9	20	24	50.5	2	0.1
TQP10117	10	20	24	50.5	2	0.1
TQP10118	11	20	24	50.5	2	0.1
TQP10119	12	20	24	50.5	2	0.1
TQP10120	13	20	24	50.5	2	0.1
TQP10121	14	20	24	50.5	2	0.1
TQP10122	15	20	24	50.5	2	0.1
TQP10123	16	20	24	50.5	2	0.1

Sleeve remover

This tool helps you easily remove the sleeve.
Ø12 - Ø32

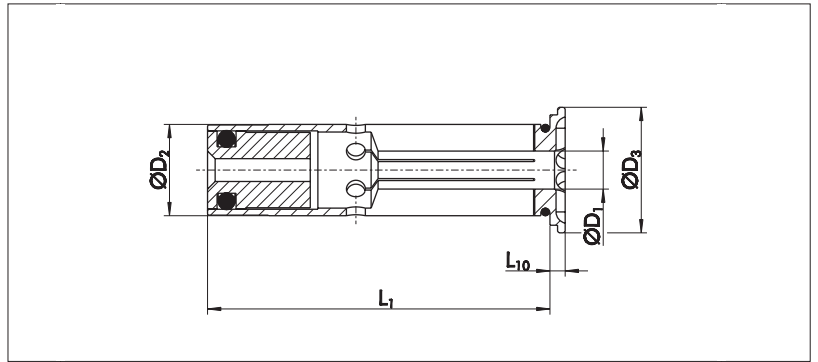
Part. no. TQP20200



FACTS

- Internal coolant: Coolant-proof up to 80 bar
- Run-out accuracy: ≤ 0.003 mm at 2.5×D.

Intermediate sleeve Ø25 - Sealed coolant



Dimensions

Description	Dimensions (mm)					Weight (kg)
	D_1	D_2	D_3	L_1	L_{10}	
TQP10140	6	25	29	54.5	2	0.1
TQP10141	8	25	29	54.5	2	0.1
TQP10142	10	25	29	54.5	2	0.1
TQP10143	12	25	29	54.5	2	0.1
TQP10144	14	25	29	54.5	2	0.1
TQP10145	16	25	29	54.5	2	0.1
TQP10146	18	25	29	54.5	2	0.1
TQP10147	20	25	29	54.5	2	0.1

Sleeve remover

This tool helps you easily remove the sleeve.
Ø12 - Ø32

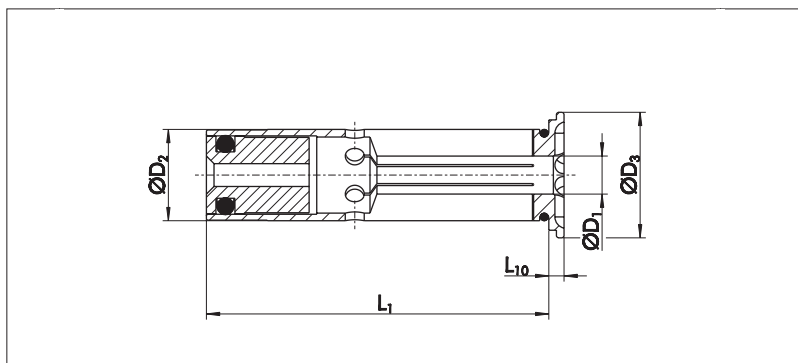
Part. no. TQP20200



FACTS

- Internal coolant: Coolant-proof up to 80 bar
- Run-out accuracy: ≤ 0.003 mm at $2.5 \times D$.

Intermediate sleeve Ø32 - Sealed coolant



Dimensions

Description	Dimensions (mm)					Weight (kg)
	D_1	D_2	D_3	L_1	L_{10}	
TQP10150	3	32	35.5	60.5	2	0.3
TQP10151	4	32	35.5	60.5	2	0.3
TQP10152	5	32	35.5	60.5	2	0.3
TQP10153	6	32	35.5	60.5	2	0.3
TQP10154	7	32	35.5	60.5	2	0.3
TQP10155	8	32	35.5	60.5	2	0.3
TQP10156	9	32	35.5	60.5	2	0.3
TQP10157	10	32	35.5	60.5	2	0.3
TQP10158	11	32	35.5	60.5	2	0.3
TQP10159	12	32	35.5	60.5	2	0.3
TQP10160	13	32	35.5	60.5	2	0.3
TQP10161	14	32	35.5	60.5	2	0.3
TQP10162	15	32	35.5	60.5	2	0.3
TQP10163	16	32	35.5	60.5	2	0.3
TQP10164	17	32	35.5	60.5	2	0.3
TQP10165	18	32	35.5	60.5	2	0.3
TQP10166	19	32	35.5	60.5	2	0.3
TQP10167	20	32	35.5	60.5	2	0.3
TQP10168	21	32	35.5	60.5	2	0.3
TQP10169	22	32	35.5	60.5	2	0.3
TQP10170	23	32	35.5	60.5	2	0.3
TQP10171	24	32	35.5	60.5	2	0.3
TQP10172	25	32	35.5	60.5	2	0.3
TQP10173	26	32	35.5	60.5	2	0.3
TQP10174	28	32	35.5	60.5	2	0.3
TQP10175	30	32	35.5	60.5	2	0.3

Sleeve remover

This tool helps you easily remove the sleeve.
Ø12 - Ø32

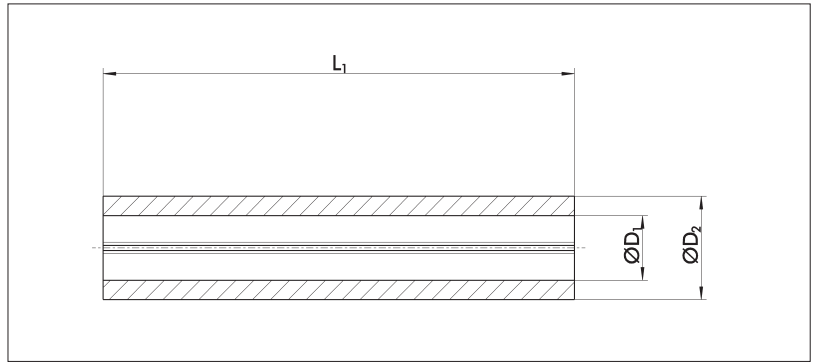
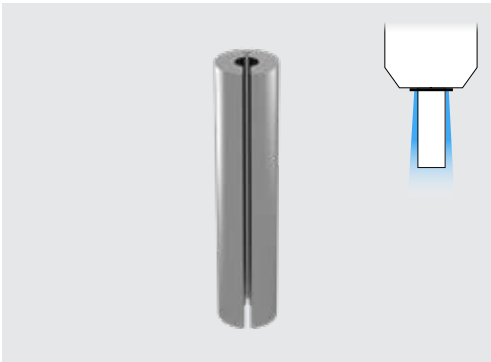
Part. no. TQP20200



FACTS

- Internal coolant: Coolant-proof up to 80 bar
- Run-out accuracy: ≤ 0.003 mm at $2.5 \times D$.

Intermediate sleeve Ø8 - Peripheral coolant



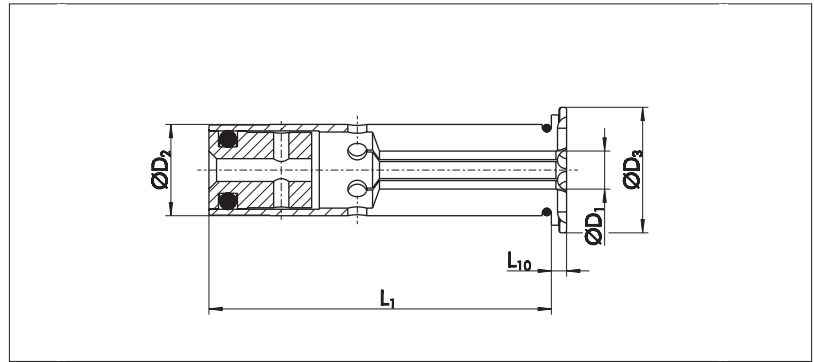
Dimensions

Description	Dimensions (mm)			Weight (kg)
	D ₁	D ₂	L ₁	
TQP10000	1	8	37	0.1
TQP10001	1.5	8	37	0.1
TQP10002	2	8	37	0.1
TQP10003	2.5	8	37	0.1
TQP10004	3	8	37	0.1
TQP10005	3.5	8	37	0.1
TQP10006	4	8	37	0.1
TQP10007	4.5	8	37	0.1
TQP10008	5	8	37	0.1
TQP10009	5.5	8	37	0.1
TQP10010	6	8	37	0.1

FACTS

- Peripheral coolant: Not coolant-proof
- Run-out accuracy: ≤ 0.003 mm at $2.5 \times D$.

Intermediate sleeve Ø12 - Peripheral coolant



Dimensions

Description	Dimensions (mm)					Weight (kg)
	D_1	D_2	D_3	L_1	L_{10}	
TQP10020	3	12	16.5	45	2	0.1
TQP10021	4	12	16.5	45	2	0.1
TQP10022	5	12	16.5	45	2	0.1
TQP10023	6	12	16.5	45	2	0.1
TQP10024	8	12	16.5	45	2	0.1

Sleeve remover

This tool helps you easily remove the sleeve.
Ø12 - Ø32

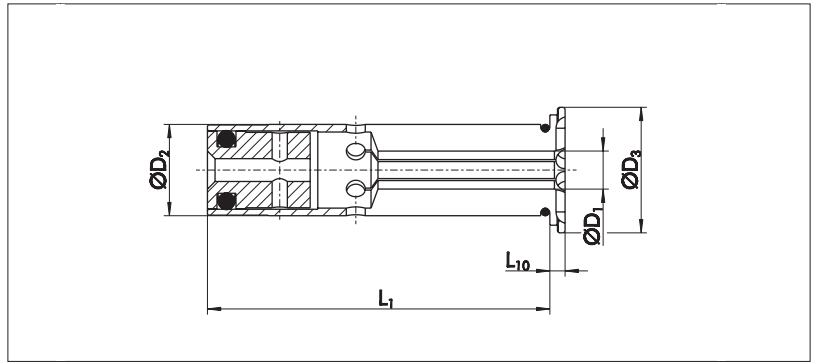
Part. no. TQP20200



FACTS

- Peripheral coolant: Not coolant-proof
- Run-out accuracy: ≤ 0.003 mm at $2.5 \times D$.

Intermediate sleeve Ø20 - Peripheral coolant



Dimensions

Description	Dimensions (mm)					Weight (kg)
	D ₁	D ₂	D ₃	L ₁	L ₁₀	
TQP10030	3	20	24	50.5	2	0.1
TQP10031	4	20	24	50.5	2	0.1
TQP10032	5	20	24	50.5	2	0.1
TQP10033	6	20	24	50.5	2	0.1
TQP10034	7	20	24	50.5	2	0.1
TQP10035	8	20	24	50.5	2	0.1
TQP10036	9	20	24	50.5	2	0.1
TQP10037	10	20	24	50.5	2	0.1
TQP10038	11	20	24	50.5	2	0.1
TQP10039	12	20	24	50.5	2	0.1
TQP10040	13	20	24	50.5	2	0.1
TQP10041	14	20	24	50.5	2	0.1
TQP10042	15	20	24	50.5	2	0.1
TQP10043	16	20	24	50.5	2	0.1

Sleeve remover

This tool helps you easily remove the sleeve.
Ø12 - Ø32

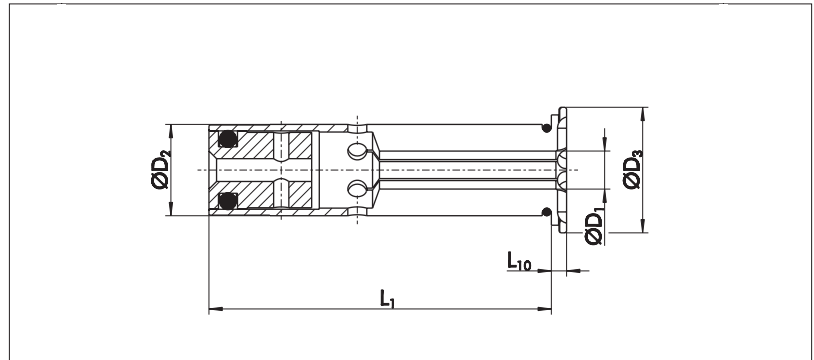
Part. no. TQP20200



FACTS

- Peripheral coolant: Not coolant-proof
- Run-out accuracy: ≤ 0.003 mm at 2.5xD.

Intermediate sleeve Ø32 - Peripheral coolant



Dimensions

Description	Dimensions (mm)					Weight (kg)
	D ₁	D ₂	D ₃	L ₁	L ₁₀	
TQP10050	6	32	35.5	60.5	2	0.3
TQP10051	8	32	35.5	60.5	2	0.3
TQP10052	10	32	35.5	60.5	2	0.3
TQP10053	12	32	35.5	60.5	2	0.3
TQP10054	14	32	35.5	60.5	2	0.3
TQP10055	16	32	35.5	60.5	2	0.3
TQP10056	18	32	35.5	60.5	2	0.3
TQP10057	20	32	35.5	60.5	2	0.3
TQP10058	25	32	35.5	60.5	2	0.3

Sleeve remover

This tool helps you easily remove the sleeve.
Ø12 - Ø32

Part. no. TQP20200



FACTS

- Peripheral coolant: Not coolant-proof
- Run-out accuracy: ≤ 0.003 mm at 2.5×D.

Other accessories



Dimensions

Description	Item name	Details
TQP20000	Coolant tube	HSK-A 63
TQP20001	Coolant tube	HSK-A 100
TQP20100	Wrench for coolant tube	HSK-A 63
TQP20101	Wrench for coolant tube	HSK-A 100
TQP20200	Sleeve remover	For intermediate sleeves Ø12 - Ø32
180125	Allen key	For tool shank diameter Ø6-Ø20: 5×100 mm
180126	Allen key	For tool shank diameter Ø25-Ø32: 6×100 mm

WE KNOW IT'S ALL ABOUT UNDERSTANDING REAL LIFE TO
ENGINEER THE RIGHT SOLUTION, THAT...

***KEEPS YOU
AHEAD***



www.kyocera-unimerco.com

TZE00252
10.24 012_3168 © KYOCERA UNIMERCO

