

Screwing Dies



SELECTION TABLE

6

CATALOGUE PAGES

115-125

M	DIN-EN 22568	<i>800</i> <i>800</i> SPN <i>Ms</i> <i>INOX</i>	115
MF	DIN-EN 22568	<i>800</i> <i>800</i> SPN <i>Ms</i> <i>INOX</i>	116-118
UNC	DIN-EN 22568	<i>800</i>	119
UNF	DIN-EN 22568	<i>800</i>	120
G	DIN-EN 24231	<i>800</i> <i>Ms</i> <i>INOX</i>	121
R	DIN-EN 24230	<i>800</i>	122
BSW	DIN-EN 22568	<i>800</i>	123
BSF	DIN-EN 22568	<i>800</i>	124
NPT	DIN-EN 24230	<i>800</i>	125

ISO Metric coarse thread DIN-13						800	800	800 SPN	Ms	INOX
HSS HSSE DIN-EN 22 568										
*SPN - Spiral point										
Material groups						P M K N S H	P M K N S H	P M K N S H	P M K N S H	P M K N S H
Execution							LH	SPN*		SPN
Quality of material						HSS	HSS	HSS	HSS	HSSE
Chamfer						1,75P	1,75P	1,75P	1,25P	2,25P
M Ø _d	P	ØDxE	W		DIN-EN 22 568					
					Norm					
					Tol.	6g	6g	6g	6g	6g
INDEX						N1-121001	N1-111001	N1-141001	N1-164001	N2-188001
M 1	0,25	16 x 5	3	0,96	0010	●	-	-	-	-
M 1,1	0,25	16 x 5	3	1,05	0011	●	-	-	-	-
M 1,2	0,25	16 x 5	3	1,15	0012	●	-	-	-	-
M 1,4	0,3	16 x 5	3	1,35	0014	●	-	-	-	-
M 1,6	0,35	16 x 5	3	1,55	0016	●	-	-	-	-
M 1,8	0,35	16 x 5	3	1,75	0018	●	-	-	-	-
M 2	0,4	16 x 5	3	1,95	0020	●	-	-	-	-
M 2,2	0,45	16 x 5	3	2,15	0022	●	-	-	-	-
M 2,5	0,45	16 x 5	3	2,42	0025	●	-	-	-	-
M 3	0,5	20 x 5	3	2,92	0030	●	●	●	●	●
M 3,5	0,6	20 x 5	3	3,41	0035	●	○	●	○	○
M 4	0,7	20 x 5	3	3,90	0040	●	●	●	●	●
M 4,5	0,75	20 x 7	3	4,40	0045	●	○	●	○	○
M 5	0,8	20 x 7	3	4,90	0050	●	●	●	●	●
M 6	1	20 x 7	4	5,88	0060	●	●	●	●	●
M 7	1	25 x 9	4	6,88	0070	●	○	●	○	○
M 8	1,25	25 x 9	4	7,86	0080	●	●	●	●	●
M 9	1,25	25 x 9	4	8,86	0090	●	○	●	○	○
M 10	1,5	30 x 11	4	9,85	0100	●	●	●	●	●
M 11	1,5	30 x 11	4	10,85	0110	●	○	●	○	○
M 12	1,75	38 x 14	4	11,83	0120	●	●	●	○	●
M 14	2	38 x 14	4	13,82	0140	●	●	●	○	●
M 16	2	45 x 18	5	15,82	0160	●	●	●	○	●
M 18	2,5	45 x 18	5	17,79	0180	●	●	●	○	●
M 20	2,5	45 x 18	5	19,79	0200	●	●	●	○	●
M 22	2,5	55 x 22	5	21,79	0220	●	●	●	○	●
M 24	3	55 x 22	5	23,76	0240	●	●	●	○	●
M 27	3	65 x 25	5	26,76	0270	●	●	●	○	●
M 30	3,5	65 x 25	6	29,73	0300	●	●	●	○	●
M 33	3,5	65 x 25	6	32,73	0330	●	●	●	○	○
M 36	4	65 x 25	7	35,70	0360	●	●	●	○	○
M 39	4	75 x 30	7	38,70	0390	●	○	○	○	○
M 42	4,5	75 x 30	7	41,68	0420	●	○	○	○	○
M 45	4,5	90 x 36	7	44,68	0450	●	○	○	○	○
M 48	5	90 x 36	7	47,66	0480	●	○	○	○	○
M 52	5	90 x 36	8	51,66	0520	●	○	○	○	○
M 56	5,5	105 x 36	7	55,65	0560	○	○	○	○	○
M 60	5,5	105 x 36	8	59,65	0600	○	○	○	○	○
M 64	6	120 x 36	7	63,62	0640	○	○	○	○	○
M 68	6	120 x 36	8	67,62	0680	○	○	○	○	○



Example of order

 N1-121001-0030
 DIN-EN 22 568 M3-6g HSS 800

- Available from stock
- On request

ISO Metric fine thread DIN-13

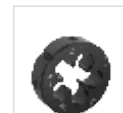
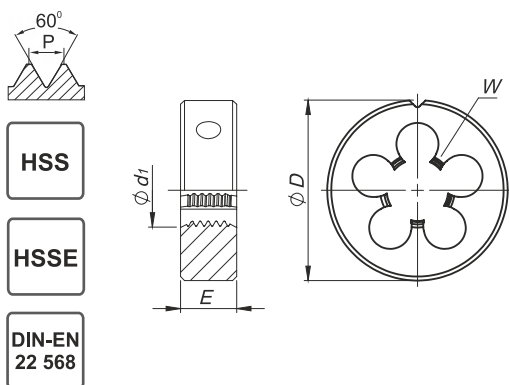
800

800

800
SPN

Ms

INOX



*SPN - Spiral point

Material groups

P M K	P M K	P M K	P M K	P M K
N S H	N S H	N S H	N S H	N S H

Execution

	LH	SPN		SPN
--	----	-----	--	-----

Quality of material

HSS	HSS	HSS	HSS	HSSE
-----	-----	-----	-----	------

Chamfer

1,75P	1,75P	1,75P	1,25P	2,25P
-------	-------	-------	-------	-------

5

M Ød ₁	P	ØDxE	W		Norm	DIN-EN 22 568					
						Tol.	6g	6g	6g	6g	6g
						INDEX	N1-121001	N1-111001	N1-141001	N1-164001	N2-188001
M 3,5 x 0,5	0,5	20 x 5	3	3,43	0037	○	○	○	○	○	
M 4 x 0,5	0,5	20 x 5	4	3,92	0041	●	○	●	●	●	
M 4,5 x 0,5	0,5	20 x 5	4	4,43	0046	○	○	○	○	○	
M 5 x 0,5	0,5	20 x 5	4	4,92	0051	●	○	●	●	●	
M 5 x 0,75	0,75	20 x 5	4	4,91	0052	○	○	○	○	○	
M 5,5 x 0,5	0,5	20 x 5	4	5,43	0056	○	○	○	○	○	
M 5,5 x 0,75	0,75	20 x 7	4	5,42	0057	○	○	○	○	○	
M 6 x 0,5	0,5	20 x 7	4	5,92	0061	●	○	●	○	●	
M 6 x 0,75	0,75	20 x 7	4	5,90	0062	●	○	●	●	●	
M 7 x 0,75	0,75	25 x 9	4	6,90	0072	●	○	●	●	●	
M 8 x 0,5	0,5	25 x 9	4	7,92	0081	●	○	●	●	●	
M 8 x 0,75	0,75	25 x 9	4	7,90	0082	●	●	●	●	●	
M 8 x 1	1	25 x 9	4	7,88	0083	●	●	●	●	●	
M 9 x 0,75	0,75	25 x 9	4	8,90	0092	●	●	●	●	●	
M 9 x 1	1	25 x 9	4	8,88	0093	●	●	●	●	●	
M 10 x 0,75	0,75	30 x 11	4	9,90	0102	●	●	●	●	●	
M 10 x 1	1	30 x 11	5	9,88	0103	●	●	●	●	●	
M 10 x 1,25	1,25	30 x 11	4	9,86	0104	●	●	●	●	●	
M 11 x 0,75	0,75	30 x 11	5	10,91	0112	●	○	●	●	●	
M 11 x 1	1	30 x 11	4	10,88	0113	●	○	●	●	●	
M 12 x 1	1	38 x 10	4	11,88	0123	●	●	●	●	●	
M 12 x 1,25	1,25	38 x 10	4	11,86	0124	●	●	●	●	●	
M 12 x 1,5	1,5	38 x 10	4	11,85	0125	●	●	●	●	●	
M 14 x 1	1	38 x 10	5	13,88	0143	●	●	○	●	●	
M 14 x 1,5	1,5	38 x 10	5	13,85	0145	●	●	●	●	●	
M 15 x 1	1	38 x 10	5	14,88	0153	●	○	○	●	●	
M 15 x 1,5	1,5	38 x 10	5	14,85	0155	●	○	○	●	●	
M 16 x 1	1	45 x 14	5	15,88	0163	●	●	○	●	●	
M 16 x 1,5	1,5	45 x 14	5	15,85	0165	●	●	●	●	●	
M 17 x 1	1	45 x 14	5	16,88	0173	●	○	○	●	●	
M 17 x 1,5	1,5	45 x 14	5	16,85	0175	●	○	○	●	●	
M 18 x 1	1	45 x 14	5	17,88	0183	●	●	○	●	●	
M 18 x 1,5	1,5	45 x 14	5	17,85	0185	●	●	●	●	●	
M 18 x 2	2	45 x 14	5	17,82	0186	●	●	●	●	●	
M 20 x 1	1	45 x 14	6	19,80	0203	●	●	●	●	●	
M 20 x 1,5	1,5	45 x 14	6	19,85	0205	●	●	●	●	●	
M 20 x 2	2	45 x 14	6	19,82	0206	●	●	○	●	●	
M 22 x 1	1	55 x 16	6	21,88	0223	●	●	○	●	●	
M 22 x 1,5	1,5	55 x 16	6	21,85	0225	●	●	●	●	●	
M 22 x 2	2	55 x 16	6	21,82	0226	●	●	○	●	●	
M 24 x 1	1	55 x 16	6	23,88	0243	●	●	○	●	●	
M 24 x 1,5	1,5	55 x 16	6	23,85	0245	●	●	●	●	●	

● Available from stock
○ On request

Example of order
N1-121001-0041
DIN-EN 22 568 M4x0,5-6g HSS 800

ISO Metric fine thread DIN-13						800	800	800 SPN	Ms	INOX
HSS HSSE DIN-EN 22 568										
*SPN - Spiral point										
Material groups						P M K N S H	P M K N S H	P M K N S H	P M K N S H	P M K N S H
Execution							LH	SPN		SPN
Quality of material						HSS	HSS	HSS	HSS	HSSE
Chamfer						1,75P	1,75P	1,75P	1,25P	2,25P
M Ød ₁	P	ØDxE	W		DIN-EN 22 568					
					Norm Tol.	6g	6g	6g	6g	6g
					INDEX	N1-121001	N1-111001	N1-141001	N1-164001	N2-188001
M 24 x 2	2	55 x 16	6	23,82	0246	●	●	○	○	○
M 25 x 1	1	55 x 16	6	24,88	0253	●	○	○	○	○
M 25 x 1,5	1,5	55 x 16	6	24,85	0255	●	○	○	○	○
M 25 x 2	2	55 x 16	6	24,82	0256	●	○	○	○	○
M 26 x 1,5	1,5	55 x 16	6	25,85	0265	●	○	○	○	○
M 27 x 1	1	65 x 18	6	26,88	0273	●	○	○	○	○
M 27 x 1,5	1,5	65 x 18	6	26,85	0275	●	○	○	○	○
M 27 x 2	2	65 x 18	6	26,82	0276	●	○	○	○	○
M 28 x 1	1	65 x 18	6	27,88	0283	●	○	○	○	○
M 28 x 1,5	1,5	65 x 18	6	27,85	0285	●	○	○	○	○
M 28 x 2	2	65 x 18	6	27,82	0286	●	○	○	○	○
M 30 x 1	1	65 x 18	6	29,88	0303	●	○	○	○	○
M 30 x 1,5	1,5	65 x 18	6	29,85	0305	●	○	○	○	○
M 30 x 2	2	65 x 18	6	29,82	0306	●	○	○	○	○
M 30 x 3	3	65 x 25	6	29,76	0307	●	○	○	○	○
M 32 x 1,5	1,5	65 x 18	7	31,85	0325	●	○	○	○	○
M 32 x 2	2	65 x 18	7	31,82	0326	●	○	○	○	○
M 33 x 1,5	1,5	65 x 18	7	32,85	0335	●	○	○	○	○
M 33 x 2	2	65 x 18	7	32,82	0336	●	○	○	○	○
M 33 x 3	3	65 x 25	7	32,76	0337	●	○	○	○	○
M 35 x 1,5	1,5	65 x 18	7	34,85	0355	●	○	○	○	○
M 36 x 1,5	1,5	65 x 18	7	35,85	0365	●	○	○	○	○
M 36 x 2	2	65 x 18	7	35,82	0366	●	○	○	○	○
M 36 x 3	3	65 x 25	7	35,76	0367	●	○	○	○	○
M 38 x 1,5	1,5	75 x 20	7	37,85	0385	●	○	○	○	○
M 39 x 1,5	1,5	75 x 20	7	38,85	0395	●	○	○	○	○
M 39 x 2	2	75 x 20	7	38,82	0396	●	○	○	○	○
M 39 x 3	3	75 x 30	7	38,76	0397	●	○	○	○	○
M 40 x 1,5	1,5	75 x 20	7	39,85	0405	●	○	○	○	○
M 40 x 2	2	75 x 20	7	39,82	0406	●	○	○	○	○
M 40 x 3	3	75 x 30	7	39,76	0407	●	○	○	○	○
M 42 x 1,5	1,5	75 x 20	7	41,85	0425	●	○	○	○	○
M 42 x 2	2	75 x 20	8	41,82	0426	●	○	○	○	○
M 42 x 3	3	75 x 30	7	41,76	0427	●	○	○	○	○
M 45 x 1,5	1,5	90 x 22	7	44,85	0455	●	○	○	○	○
M 45 x 2	2	90 x 22	7	44,82	0456	●	○	○	○	○
M 45 x 3	3	90 x 36	7	44,76	0457	●	○	○	○	○
M 48 x 1,5	1,5	90 x 22	7	47,85	0485	●	○	○	○	○
M 48 x 2	2	90 x 22	7	47,82	0486	●	○	○	○	○
M 48 x 3	3	90 x 36	7	47,76	0487	●	○	○	○	○
M 48 x 4	4	90 x 36	7	47,73	0488	●	○	○	○	○
M 50 x 1,5	1,5	90 x 22	8	49,85	0505	●	○	○	○	○



Example of order

 N1-121001-0285
 DIN-EN 22 568 M28x1,5-6g HSS 800

- Available from stock
- On request

ISO Metric fine thread DIN-13

800 800 800 SPN Ms INOX

*SPN - Spiral point

Material groups	P M K N S H	P M K N S H	P M K N S H	P M K N S H	P M K N S H
Execution		LH	SPN		SPN
Quality of material	HSS	HSS	HSS	HSS	HSSE
Chamfer	1,75P	1,75P	1,75P	1,25P	2,25P

5

M Ø _{d₁}	P	ØDxE	W		Norm	DIN-EN 22 568					
						Tol.	6g	6g	6g	6g	6g
						INDEX	N1-121001	N1-111001	N1-141001	N1-164001	N2-188001
M 50 x 2	2	90 x 22	8	49,82	0506	●	○	○	○	○	
M 50 x 3	3	90 x 36	8	49,76	0507	●	○	○	○	○	
M 52 x 1,5	1,5	90 x 22	8	51,85	0525	●	○	○	○	○	
M 52 x 2	2	90 x 22	8	51,82	0526	●	○	○	○	○	
M 52 X 3	3	90 x 36	8	51,76	0527	●	○	○	○	○	
M 52 x 4	4	90 x 36	8	51,73	0528	●	○	○	○	○	
M 55 x 1,5	1,5	105 x 22	8	54,85	0555	○	○	○	○	○	
M 55 x 2	2	105 x 22	7	54,82	0556	○	○	○	○	○	
M 55 x 3	3	105 x 36	7	54,76	0557	○	○	○	○	○	
M 55 x 4	4	105 x 36	7	54,73	0558	○	○	○	○	○	
M 56 x 1,5	2	105 x 22	8	55,85	0565	○	○	○	○	○	
M 56 x 2	2	105 x 22	8	55,82	0566	○	○	○	○	○	
M 56 x 3	3	105 x 36	8	55,76	0567	○	○	○	○	○	
M 56 x 4	4	105 x 36	7	55,73	0568	○	○	○	○	○	

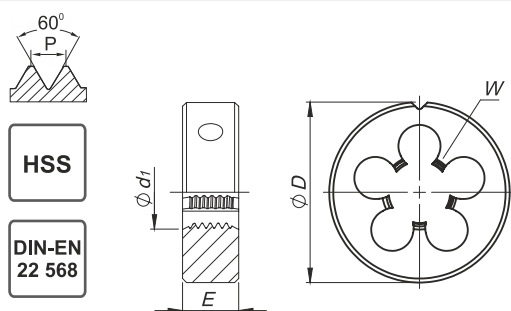
American unified coarse thread UNC, ANSI B-1.1								800										
Material groups								<table border="1"> <tr> <td>P</td> <td>M</td> <td>K</td> </tr> <tr> <td>N</td> <td>S</td> <td>H</td> </tr> </table>		P	M	K	N	S	H			
P	M	K																
N	S	H																
Execution																		
Quality of material								HSS										
Chamfer								1,75P										
UNC	Ød ₁	1"/P	P	ØD x E	W		Norm		INDEX									
							DIN-EN 22 568											
							Tol.											
							2A											
							N1-121001											
No 5 - 40	3,175	40	0,635	20 x 5	3	3,09	4105		●									
No 6 - 32	3,505	32	0,794	20 x 5	3	3,41	4106		●									
No 8 - 32	4,166	32	0,794	20 x 7	3	4,07	4108		●									
No 10 - 24	4,826	24	1,058	20 x 7	3	4,71	4110		●									
No 12 - 24	5,486	24	1,058	20 x 7	4	5,37	4112		●									
1/4 - 20	6,35	20	1,270	20 x 7	4	6,22	4127		●									
5/16 - 18	7,938	18	1,411	25 x 9	4	7,80	4128		●									
3/8 - 16	9,525	16	1,588	30 x 11	4	9,37	4129		●									
7/16 - 14	11,112	14	1,814	30 x 11	4	10,95	4130		●									
1/2 - 13	12,7	13	1,954	38 x 14	4	12,52	4131		●									
9/16 - 12	14,288	12	2,117	38 x 14	4	14,10	4132		●									
5/8 - 11	15,875	11	2,309	45 x 18	5	15,68	4133		●									
3/4 - 10	19,05	10	2,504	45 x 18	5	18,84	4135		●									
7/8 - 9	22,225	9	2,822	55 x 22	5	22,00	4137		●									
1 - 8	25,4	8	3,175	55 x 22	5	25,16	4139		●									
1.1/8 - 7	28,575	7	3,629	65 x 25	5	28,31	4141		○									
1.1/4 - 7	31,75	7	3,629	65 x 25	6	31,49	4143		○									
1.3/8 - 6	34,925	6	4,233	65 x 25	7	34,63	4145		○									
1.1/2 - 6	38,1	6	4,233	75 x 30	6	37,80	4147		○									
1.3/4 - 5	44,45	5	5,080	90 x 36	6	44,12	4151		○									
2 - 4.1/2	50,8	4.1/2	5,645	90 x 36	7	50,45	4155		○									

5



American unified fine thread UNF, ANSI B-1.1

800



Material groups




Execution

Quality of material

HSS

Chamfer

1,75P

UNF	ϕd_1	1"/P	P	$\phi D \times E$	W		Norm			
							Tol.	INDEX		
							DIN-EN 22 568			
							2A			
							N1-121001			
No 5 - 44	3,175	44	0,577	20 x 5	3	3,10	4205	●		
No 6 - 40	3,505	40	0,635	20 x 5	3	3,42	4206	●		
No 8 - 36	4,166	36	0,705	20 x 7	3	4,08	4208	●		
No 10 - 32	4,826	32	0,794	20 x 7	3	4,73	4210	●		
No 12 - 28	5,486	28	0,907	20 x 7	4	5,38	4212	●		
1/4 - 28	6,35	28	0,907	20 x 7	4	6,24	4227	●		
5/16 - 24	7,938	24	1,058	25 x 9	5	7,82	4228	●		
3/8 - 24	9,525	24	1,058	30 x 11	4	9,41	4229	●		
7/16 - 20	11,112	20	1,270	30 x 11	5	10,98	4230	●		
1/2 - 20	12,7	20	1,270	38 x 10	5	12,56	4231	●		
9/16 - 18	14,288	18	1,411	38 x 10	5	14,14	4232	●		
5/8 - 18	15,875	18	1,411	45 x 14	5	15,73	4233	●		
3/4 - 16	19,05	16	1,588	45 x 14	6	18,89	4235	●		
7/8 - 14	22,225	14	1,814	55 x 16	5	22,05	4237	●		
1 - 12	25,4	12	2,117	55 x 16	6	25,21	4239	●		
1.1/8 - 12	28,575	12	2,117	65 x 18	6	28,38	4241	○		
1.1/4 - 12	31,75	12	2,117	65 x 18	6	31,55	4243	○		
1.3/8 - 12	34,925	12	2,117	65 x 18	7	34,73	4245	○		
1.1/2 - 12	38,1	12	2,117	75 x 20	8	37,90	4247	○		

5

Example of order

N1-121001-4228
DIN-EN 22 568 5/16-24 UNF-2A HSS 800

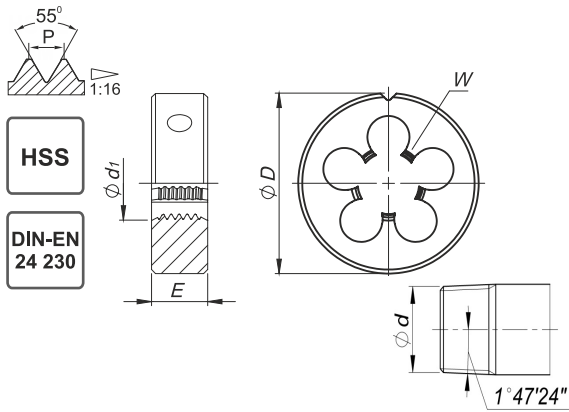
- Available from stock
- On request

Whitworth pipe thread G, DIN-ISO 228							800	800	Ms	INOX		
HSS HSSE DIN-EN 24 231												
Material groups							P M K N S H	P M K N S H	P M K N S H	P M K N S H		
Execution								LH		SPN		
Quality of material							HSS	HSS	HSS	HSSE		
Chamfer							1,75P	1,75P	1,25P	2,25P		
G	Ød,	1"/P	P	ØD x E	W		DIN-EN 24231					
							Norm					
							Tol.					
							INDEX	N1-121001	N1-111001	N1-164001	N2-188001	
G1/8	9,73	28	0,907	30 x 11	4	9,62	3123	●	○	●	●	
G1/4	13,16	19	1,337	38 x 10	4	13,03	3127	●	●	●	●	
G3/8	16,66	19	1,337	45 x 14	5	16,54	3129	●	●	●	●	
G1/2	20,96	14	1,814	45 x 14	6	20,81	3131	●	●	●	●	
G5/8	22,91	14	1,814	55 x 16	5	22,77	3133	●	○	○	○	
G3/4	26,44	14	1,814	55 x 16	6	26,30	3135	●	●	●	●	
G7/8	30,20	14	1,814	65 x 18	6	30,06	3137	●	○	○	○	
G1	33,25	11	2,309	65 x 18	7	33,07	3139	●	●	●	●	
G1.1/8	37,90	11	2,309	75 x 20	7	37,72	3141	○	○	○	○	
G1.1/4	41,91	11	2,309	75 x 20	8	41,73	3143	●	○	○	○	
G1.3/8	44,32	11	2,309	90 x 22	7	44,14	3145	○	○	○	○	
G1.1/2	47,80	11	2,309	90 x 22	7	47,62	3147	●	○	○	○	
G1.3/4	53,75	11	2,309	105 x 22	8	53,57	3151	○	○	○	○	
G2	59,61	11	2,309	105 x 22	8	59,43	3155	○	○	○	○	
G2.1/4	65,71	11	2,309	120 x 22	8	65,49	3157	○	○	○	○	



Whitworth pipe external thread R, ISO-7/1

800



Material groups



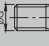
Execution

Quality of material

HSS

Chamfer

2P

G	Ød ₁	1"/P	P	ØD x E	W		Norm	<input checked="" type="checkbox"/>
							Tol.	
R-1/8"	9,73	28	0,907	30 x 11	5	9,48	DIN-EN 24 230	●
R-1/4"	13,16	19	1,337	38 x 14	5	12,78		●
R-3/8"	16,16	19	1,337	45 x 18	5	16,26		●
R-1/2"	20,96	14	1,814	55 x 22	5	20,44		●
R-3/4"	26,44	14	1,814	55 x 22	6	25,85		●
R-1"	32,25	11	2,309	65 x 25	7	32,60		●

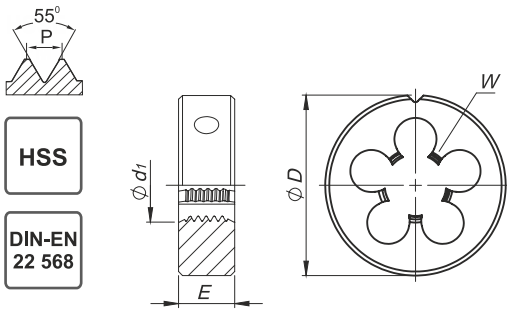
5

Whitworth thread BSW BS-84:2007								800				
Material groups												
Execution												
Quality of material								HSS				
Chamfer								1,75P				
BSW	ϕd_1	1"/P	P	$\phi D \times E$	W		Norm	DIN-EN 22 568				
							Tol.	medium				
								INDEX	N1-121001			
1/8 - 40	3,18	40	0,635	20 x 5	3	3,09	7123	●				
3/16 - 24	4,76	24	1,058	20 x 7	4	4,66	7125	●				
1/4 - 20	6,35	20	1,270	20 x 7	4	6,24	7127	●				
5/16 - 18	7,94	18	1,411	25 x 9	4	7,82	7128	●				
3/8 - 16	9,53	16	1,588	30 x 11	4	9,40	7129	●				
7/16 - 14	11,11	14	1,814	30 x 11	4	10,98	7130	●				
1/2 - 12	12,7	12	2,117	38 x 14	4	12,56	7131	●				
9/16 - 12	14,29	12	2,117	38 x 14	4	14,14	7132	●				
5/8 - 11	15,88	11	2,309	45 x 18	5	15,72	7133	●				
3/4 - 10	19,05	10	2,504	45 x 18	5	18,89	7135	●				
7/8 - 9	22,23	9	2,822	55 x 22	5	22,10	7137	●				
1 - 8	25,4	8	3,175	55 x 22	5	25,27	7139	●				



British Whitworth fine thread BSF, BS-84:2007

800



Material groups



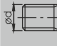
Execution

Quality of material

HSS

Chamfer

1,75P

BSF	ϕd_1	1"/P	P	$\phi D \times E$	W		Norm	Tol.	INDEX
							DIN-EN 22 568		
3/16 - 32	4,76	32	0,794	20 x 7	4	4,76	7225	medium	N1-121001
1/4 - 26	6,35	26	0,977	20 x 7	4	6,25	7227	●	
5/16 - 22	7,94	22	1,155	25 x 9	4	7,83	7228	●	
3/8 - 20	9,53	20	1,270	30 x 11	4	9,41	7229	●	
7/16 - 18	11,11	18	1,411	30 x 11	5	10,99	7230	●	
1/2 - 16	12,70	16	1,588	38 x 10	5	12,57	7231	●	
9/16 - 16	14,29	16	1,588	38 x 10	4	14,16	7232	●	
5/8 - 14	15,88	14	1,814	45 x 14	4	15,73	7233	●	
3/4 - 12	19,05	12	2,117	45 x 14	5	18,89	7235	●	
7/8 - 11	22,23	11	2,309	55 x 22	5	22,11	7237	●	
1 - 10	25,40	10	2,504	55 x 22	5	25,28	7239	●	

5

American tapered pipe thread NPT 1:16, ANSI B-1.20.1								800													
Material groups								<table border="1"> <tr> <td>P</td> <td>M</td> <td>K</td> </tr> <tr> <td>N</td> <td>S</td> <td>H</td> </tr> </table>				P	M	K	N	S	H				
P	M	K																			
N	S	H																			
Execution																					
Quality of material								HSS													
Chamfer								2P													
								Norm													
								DIN-EN 24 230													
								Tol.													
								INDEX													
NPT	Ød ₁	1"/P	P	ØD x E	W																
1/8	9,728	27	0,941	30 x 11	5	9,99	4623	●													
1/4	13,157	18	1,411	38 x 14	5	13,26	4627	●													
3/8	16,662	18	1,411	45 x 18	5	16,67	4629	●													
1/2	20,955	14	1,814	45 x 18	6	20,71	4631	●													
3/4	26,441	14	1,814	55 x 22	6	26,03	4635	●													
1	33,249	11.1/2	2,209	65 x 25	7	32,59	4639	●													

5

